



GRAPHIC PACKAGING

INTERNATIONAL, INC.
MINNESOTA AUTOMATION PRODUCTS



Images of Actual
Machine

Discounted Inventory

Four-Arm Advancing Cam Rotary Placer

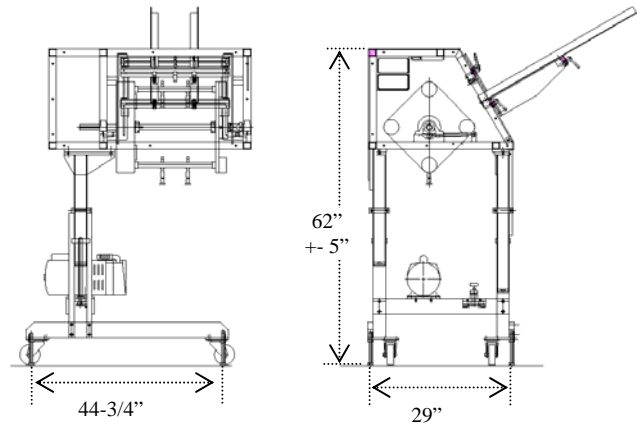
Serial #J801-913

Configuration:

- Four vacuum shafts with two vacuum stems on each shaft.
- Gast Rotary Vane & Oil Free Vacuum Pump
- 36" inclined gravity fed single lane magazine adaptable to multiple lanes.
- Stand is a cantilevered frame on casters
- Rapid adjust feature for height adjustment
- CRS rotary frame with gray Steel It epoxy finish

A mobile compact, rotary feeder designed and built to last:

- High Speed placement
- Maximum product size single lane is 15" width x 11" vertical.
- Quick adjustments for new product. This rotary is versatile and can accommodate multiple products.
- Adjustable gravity feed magazine / low maintenance magazine eliminates moving parts.
- High Quality Components
- Designed for Low Maintenance and a Long Service Life
- Optional Electrical Packages (Installed and tested prior to shipment):
 - Random Placement Servo Package to include all components required to operate the rotary placer.
 - Self Contained AC Follower Package include all components required to operate the rotary placer.



Transaction Details

- Machine is in "like new" condition and will be sold "as is".
- We will configure this machine to your product, upon request. Price will be quoted upon receipt and review of the product.
- Terms of sale: 100% due prior to shipment.
- Lead Time: Ready for immediate shipment.
- Service installation and startup assistance quoted separately.