

STANDARD ROTARY PLACER

2 Arm - 3 Arm - 4 Arm
Stand Alone or Integrate



Flexible

Versatile

Dependable



GRAPHIC PACKAGING
INTERNATIONAL, INC.
MINNESOTA AUTOMATION PRODUCTS

Flexibility is the key to the design of the rotary placer. A need existed for a high-speed accurate rotary placer to handle a variety of products. The rotary placer fills that need.

Use as a stand-alone machine or integrate into your existing system. Graphic Packaging has successfully interfaced this rotary placer with many major brands of equipment.

Used for multiple applications or as a dedicated product-feeding device, the rotary placer is a low maintenance machine that will withstand the rigors of manufacturing.

Options such as the Quick-Change magazine are perfect for lean manufacturing. Less down time for re-tooling means more production time and higher outputs.

Everyday you make every effort to gain extra performance in your production lines. Minnesota Automation Products from Graphic Packaging are quality products with unmatched customer support.

Key Features

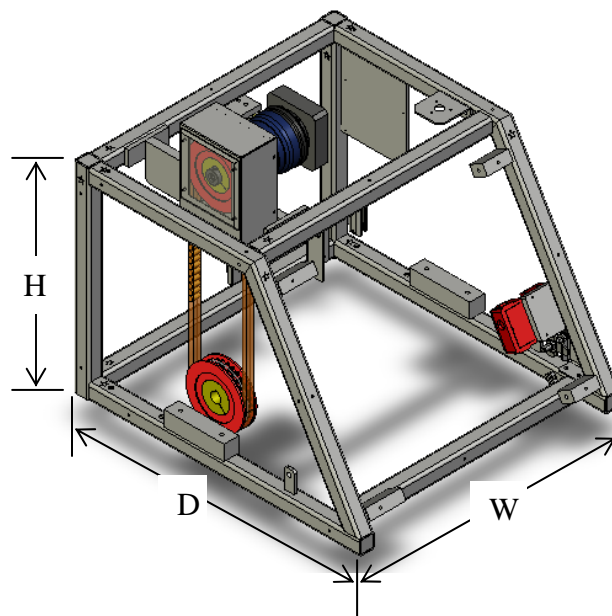
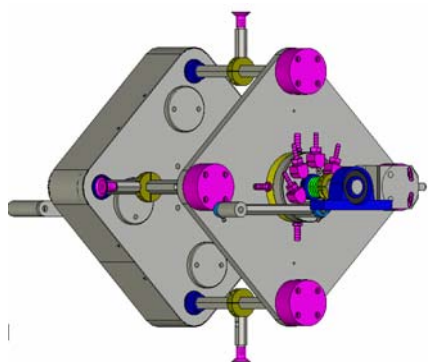
- **PLC Controlled**
PLC brand flexibility allows us to configure this machine to your requirements.
- **Rotary Gear Drive**
Long life with independent action on rotary arms
- **Continuous Motion**
Increased production and reduce labor
- **Quick Changeovers**
Many of our machines are for multiple product configurations. Using optional quick-change magazines enables the end user to maximize production.
- **Horizontal and Vertical Placement**
Versatility to meet the demands of your application
- **Speeds to 450 PPM**
Higher production speeds results in higher production numbers.
- **Precise Placement**
When accurate placement is required

Options

- **Construction Grade**
Grade #1 Standard Finish – Normal applications where machine is not subject to wash down.
Grade #2 Standard Stainless Finish – Applications where machine is subject to occasional wash down.
Grade #3 Wash Down Finish – Designed for applications where machine is subject to high pressure, high temperature, and caustic wash down.
- 120° - 240° placement rotation or both
- Servo Drive
- Advancing Cam
- Apply labels, printing, or coding
- Glue Applications
- Portable Stand with Rapid Height Adjustment
- Casters for Mobility
- Horizontal Powered Magazines
- Quick Change Magazines
- Shuttling Magazines
- Bar Code Reader and Verification
- Cycle Counter
- Line Controls to meet your requirements

Products

Coupons – Credit Cards – Back Cards – Phone Cards – Labels Trays – Lids – Bowls – Tubs – Clamshell Trays – Paper – Plastic Premiums – Envelopes – Pouches – Hang Tags – Inserts – CD's - Pizza Circles – Warranty Cards – Promotional Literature – Pads – Glass - **Many, many more**



Product Size Range	Width	Height	Frame Size Range	Width	Height	Deep
Minimum	1"	1"	Minimum	20"	15"	15"
Maximum	48"	22"	Maximum	66"	24"	44"



GRAPHIC PACKAGING
INTERNATIONAL, INC.
MINNESOTA AUTOMATION PRODUCTS

975 3rd Street SW • PO Box 190 • Crosby, MN 56441
1.888.800.6861 • 218.546.2222 • Fax 218.546.2252
www.minnesotaautomation.com • E-mail: ma@graphicpkg.com