

# SERVO DRIVEN ROTARY PLACER

Random, Accurate  
High Speed Placement



**Flexible**

**Versatile**

**Dependable**



**GRAPHIC PACKAGING**  
INTERNATIONAL, INC.  
MINNESOTA AUTOMATION PRODUCTS

Inserters; Outserters; Hang Tag Applications; use it on a folder gluer or roll it up to your existing conveyor. Servo rotary placers enable fixed or random pitch placement with high accuracy placement. It is a choice for plug-and-play applications. Plug and play applications lets you move the placer from one application to another.

This machine has been proven for tipping CDs, placing plastic cards, and applying hang tags over the neck of bottles traveling randomly on the conveyor. Machine applications are capable of speeds up to 400 placements per minute, with accuracies up to 1/16 of an inch. This is a machine designed to meet many product placement needs.

Everyday you make every effort to gain extra performance in your production lines. Minnesota Automation Products from Graphic Packaging are quality products with unmatched customer support.

### Key Features

- Servo Controlled  
Yaskawa Servo is our standard
- Speeds  
Speeds up to 400 placements per minute
- Quick Changeovers  
Many of our machines are for multiple product configurations. Using optional quick-change magazines enables the end user to realize maximize production.
- Easy Integration  
This design allows for easy integration to your existing system. The cantilevered frame allows you to roll the rotary placer up to your system
- Power / Air Requirements 120VAC and 80 PSI  
Flexibility is the key. Roll the machine up to many conveyor configurations, plug it in and you are ready.

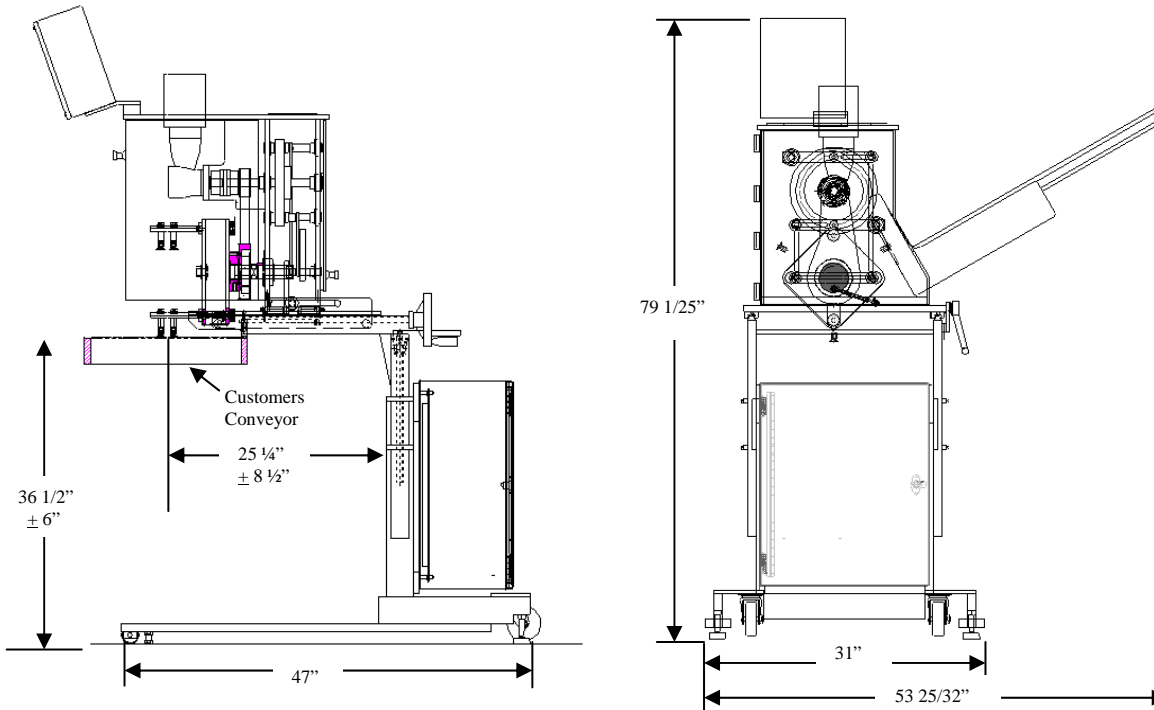
### Options

- Construction Grade  
Grade #1 Standard Finish – Normal applications where machine is not subject to wash down.  
Grade #2 Standard Stainless Finish – Applications where machine is subject to occasional wash down.
- Machine Controls  
Stand-alone machine or integrate with your existing system.
- Placement Rotation  
120° rotation  
240° rotation
- Product Tacking  
Pitch applications or non-pitch applications
- Changeovers  
Quick-Change Magazines, a lean manufacturing tool to optimize production time.
- Casters  
Industrial casters for mobility of your machine
- Docking Brackets  
Designed to fit your line
- System Add-ons  
Glue  
Vision System  
Scanners
- And more

### Products

Coupons – Credit Cards – Back Cards – Phone Cards – Labels – Paper – Plastic Premiums – Envelopes – Pouches – Hang Tags – Inserts – CD's – Warranty Cards – Promotional Literature – Pads

**Many, many more**



Product Size Range	5" Rotary Head		7-1/2" Rotary Head	
	120°	240°	120°	240°
Maximum Height	8"	5"	12"	7.5"
Tail Length	4"	2.5"	6"	3.75"



**GRAPHIC PACKAGING**  
INTERNATIONAL, INC.  
MINNESOTA AUTOMATION PRODUCTS

975 3<sup>rd</sup> Street SW • PO Box 190 • Crosby, MN 56441  
1.888.800.6861 • 218.546.2222 • Fax 218.546.2252  
[www.minnesotaautomation.com](http://www.minnesotaautomation.com) • E-mail: [ma@graphicpkg.com](mailto:ma@graphicpkg.com)